

BRAVO

DELICIO

CONTACT

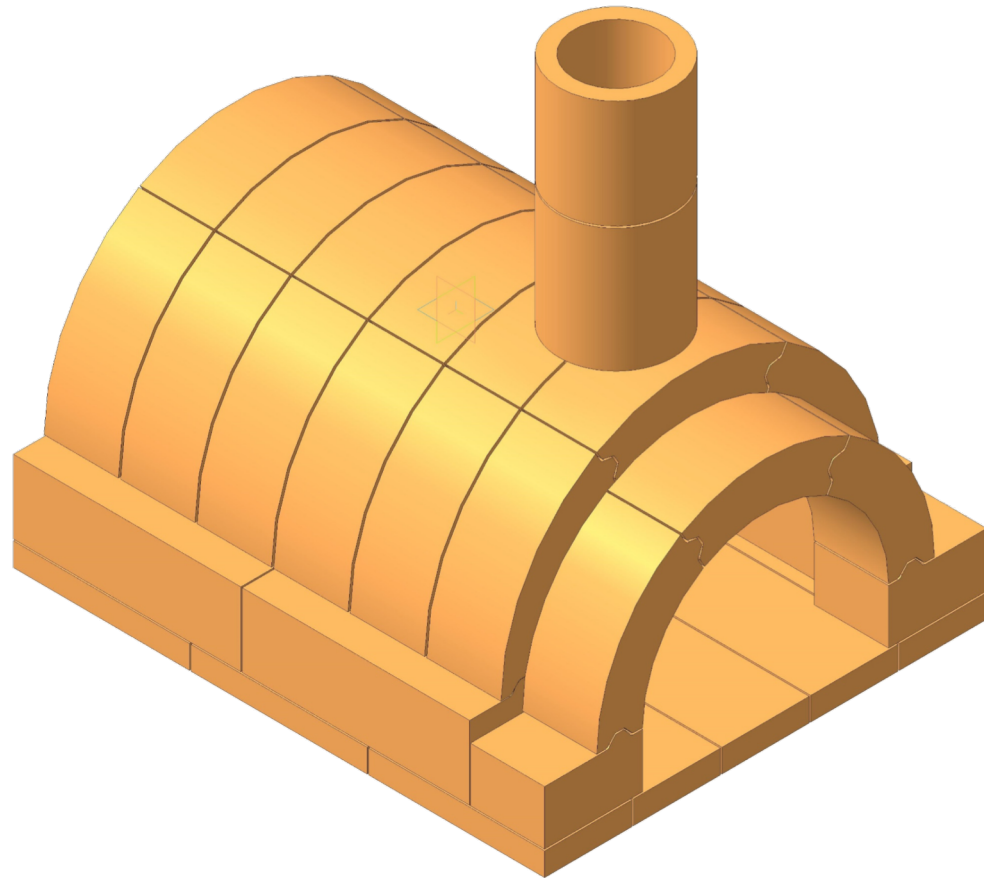
VANGUARD

FIREBRICK



GIRtech

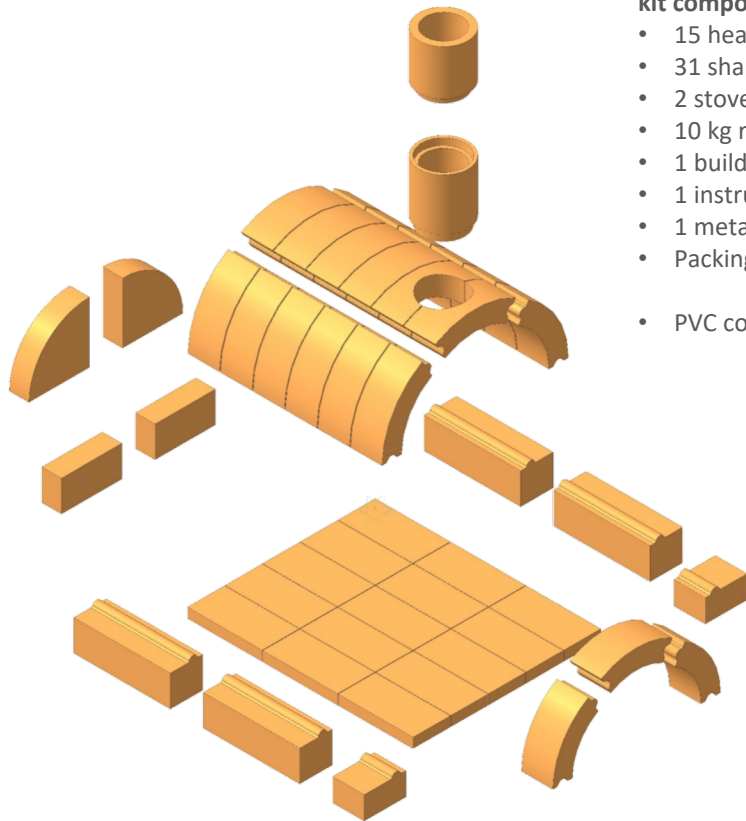
www.girtech.com.ua



GIRtech BRAVO is a unique and multifunctional oven that allows you to easily and quickly cook a wide variety of dishes on fire: pizza, meat, fish, vegetables, pastries

Our oven is intended to use it most effective and simply way during family rest and barbeque parties

Installation of the oven kit does not require specific knowledge nor skills, so it could be assembled by yourself within 4-5 hours. All elements are prepared for assembly without need of additional trim or machining

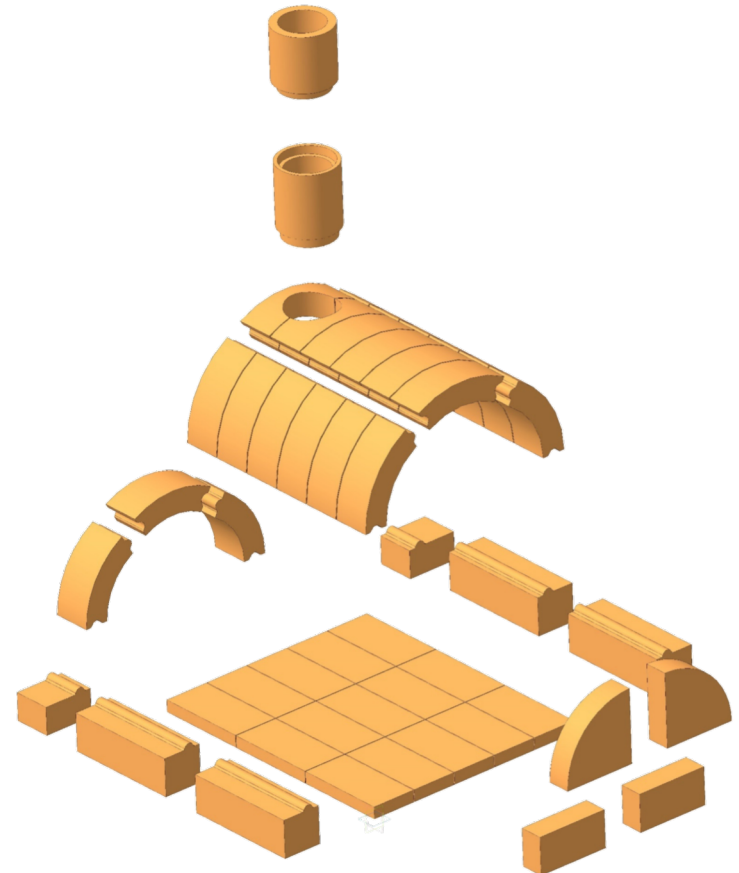


Frontside

kit composition:

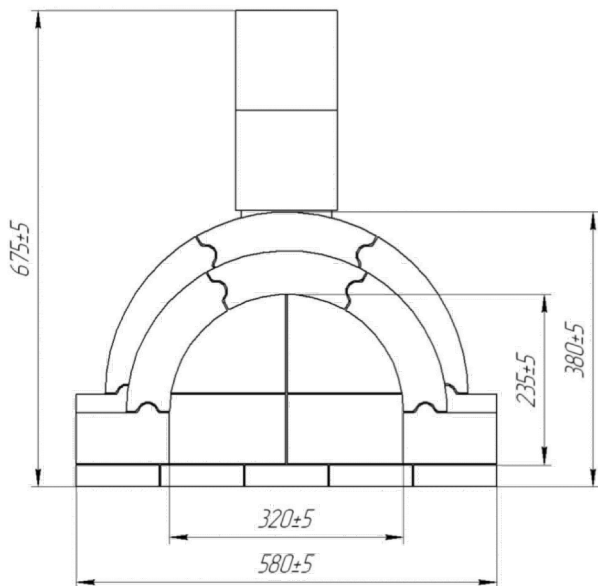
- 15 hearthstones;
- 31 shaped blocks;
- 2 stovepipe;
- 10 kg ready-mix Mortar;
- 1 building set;
- 1 instruction.
- 1 metal shatter
- Packing materials

- PVC cover if ordered

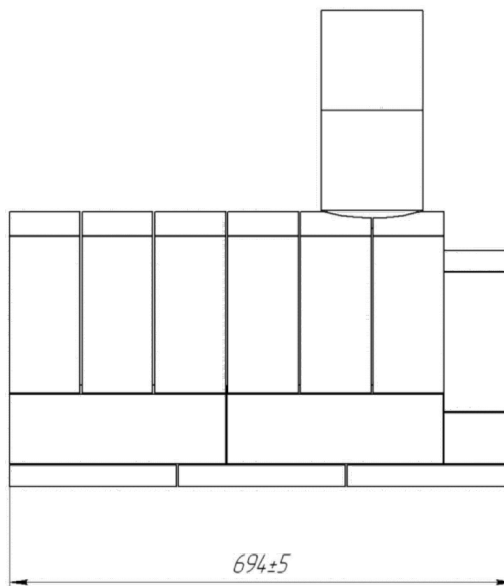


backside

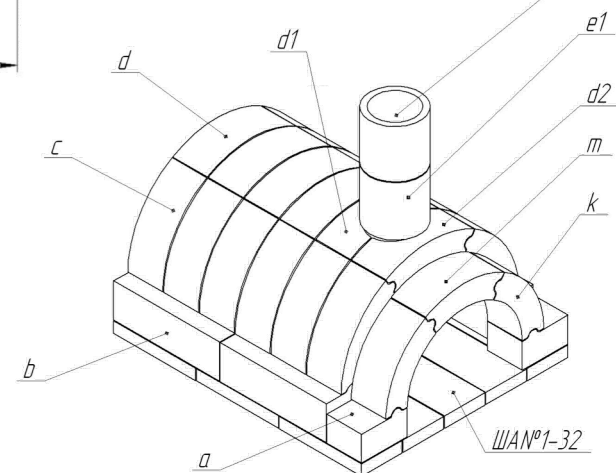
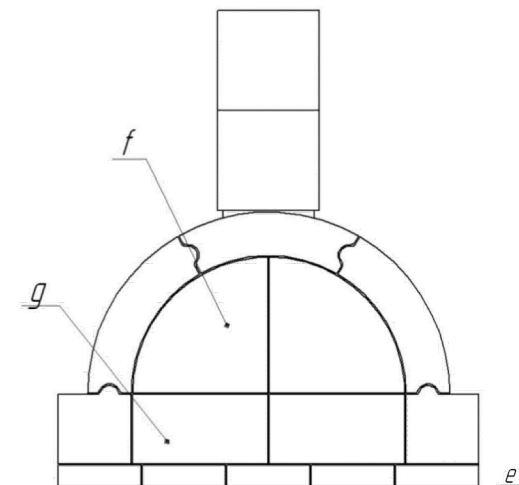
Frontside



flankside



backside



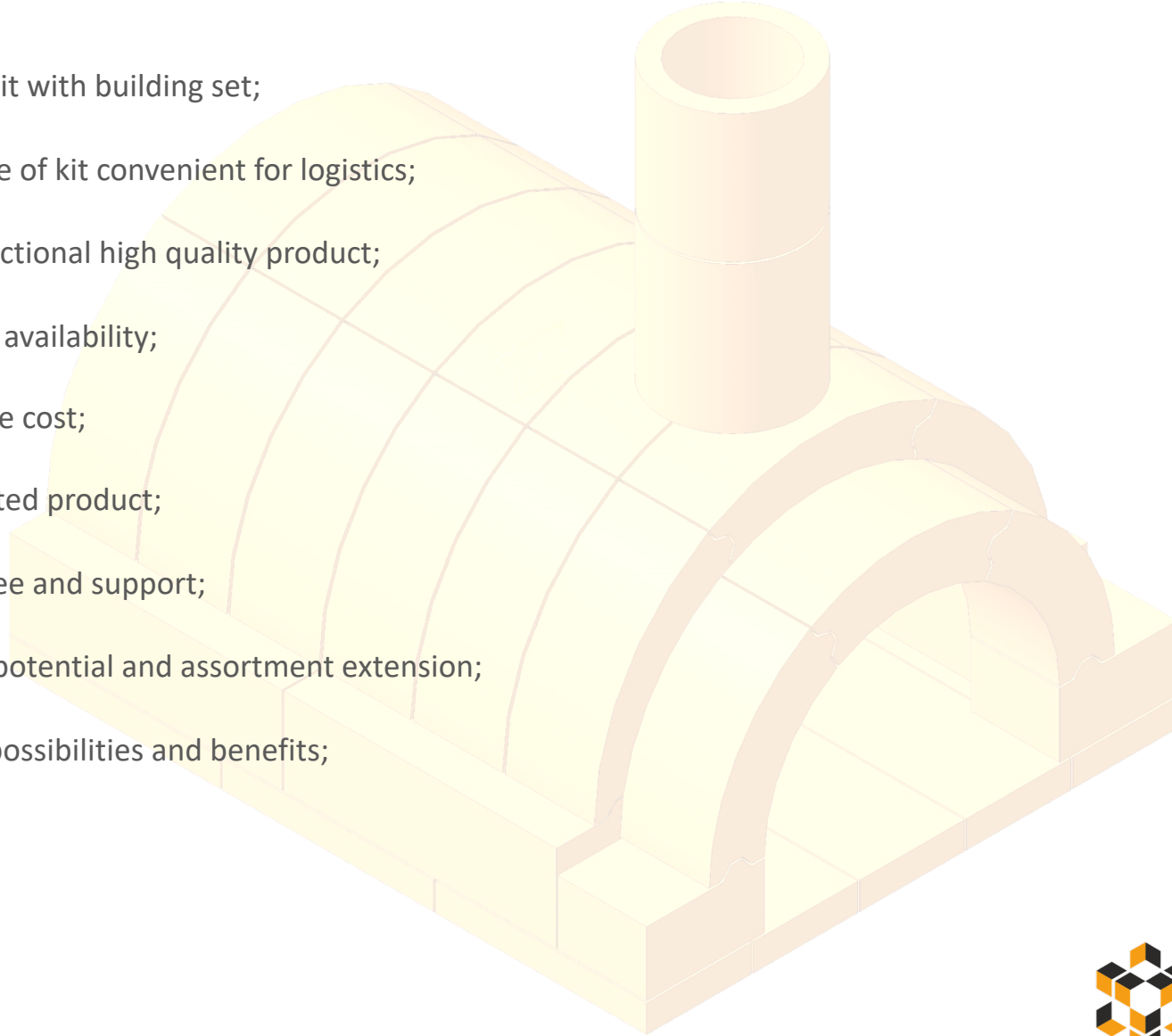
Material: **fireclay**
 Fire resistance: **1690° c**
 Work surface area: **378*537 mm**
 Length **694±5 mm**
 Width **580±5 mm**
 Height **675±5 mm**
 Total quantity of elements: **48 pcs**
 Total weight net: **122,3 kg**
 Total weight gross: **140 kg**



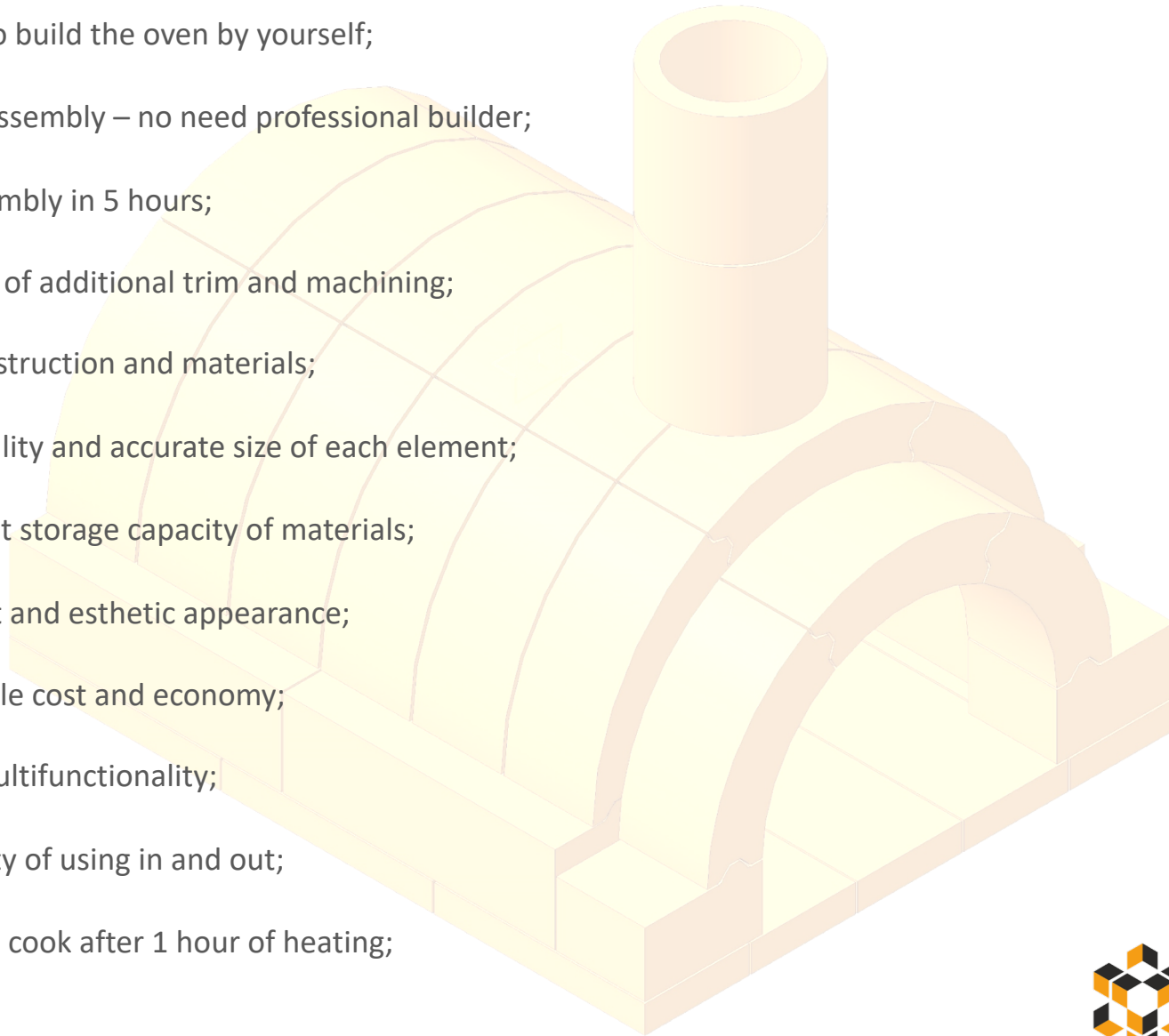


- The set is packed in 3 branded wooden boxes;
- The boxes are numbered and marked in the proper way;
- Content is protected from damage by additional packaging materials.

- Full dyl kit with building set;
- Small size of kit convenient for logistics;
- Multifunctional high quality product;
- Demand availability;
- profitable cost;
- Certificated product;
- Guarantee and support;
- Growth potential and assortment extension;
- Loyalty possibilities and benefits;



- Full kit to build the oven by yourself;
- Simple assembly – no need professional builder;
- Full assembly in 5 hours;
- No need of additional trim and machining;
- Safe construction and materials;
- High quality and accurate size of each element;
- High heat storage capacity of materials;
- Compact and esthetic appearance;
- Affordable cost and economy;
- Great Multifunctionality;
- Possibility of using in and out;
- Ready to cook after 1 hour of heating;



Pizza



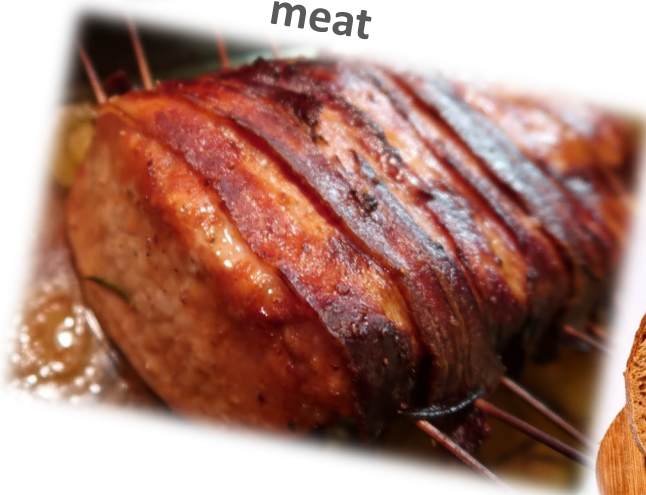
vegies



fish



meat



bake



mashrooms

